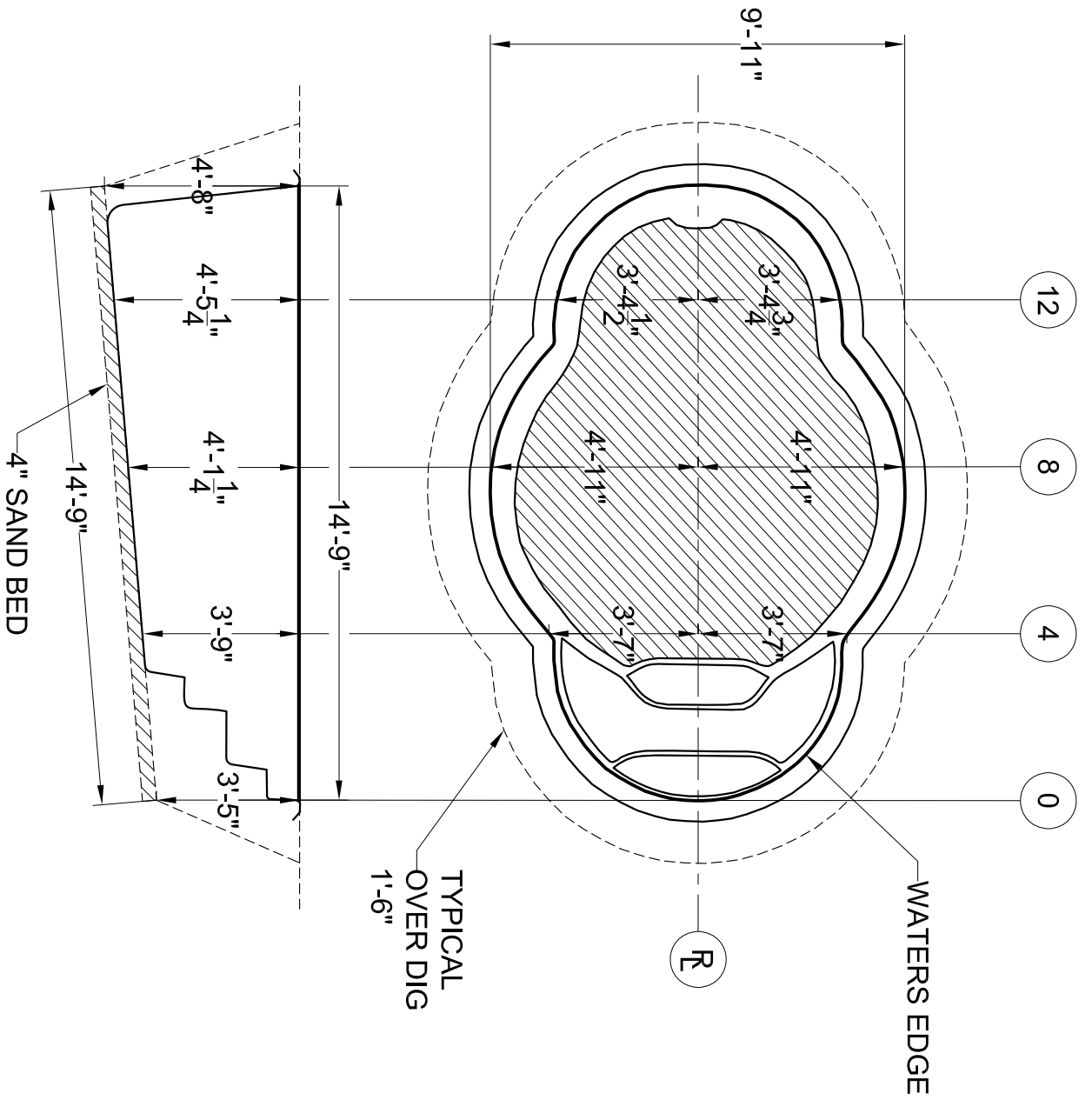


ALL MEASUREMENTS TO WATERS EDGE - ADD PREFERRED OVERDIG



WEIGHT: 700 LBS  
 AREA: 108 SQ FT  
 PERIMETER: 40 FT  
 VOLUME: 2950 GAL

### PARADISE 090 - DIG PLAN

SCALE 1/4" = 1'-0"

DATE 09-28-05

DRAWN BY KLB

REVISION 01

ALL MEASUREMENTS AND QUANTITIES ARE BASED ON AVERAGES