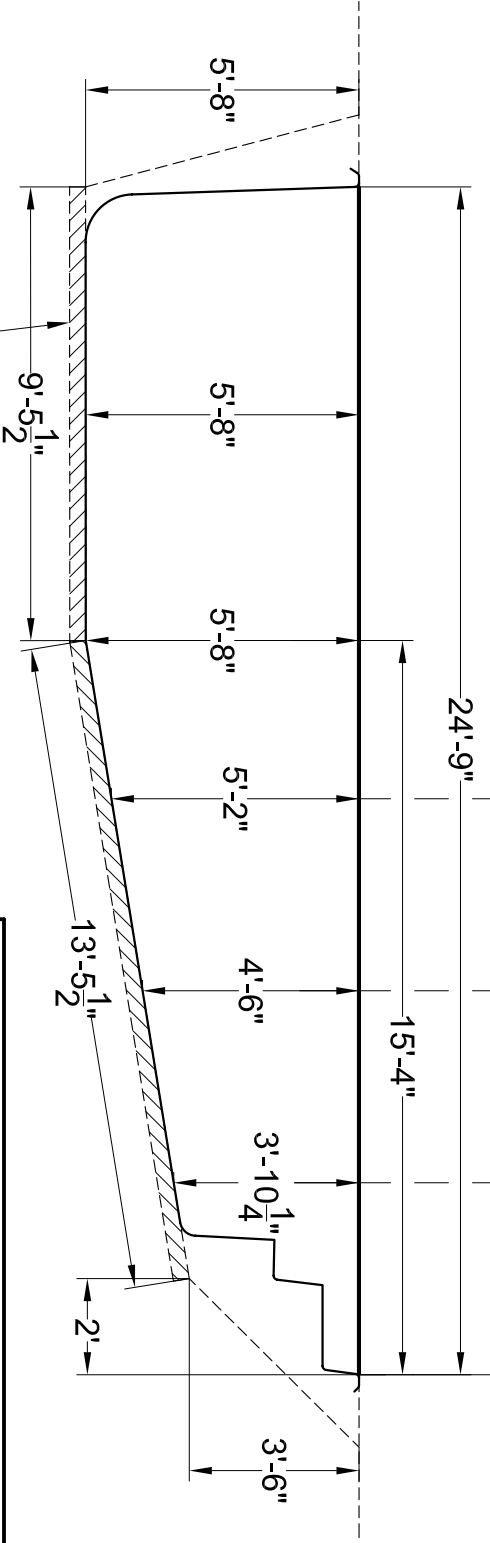
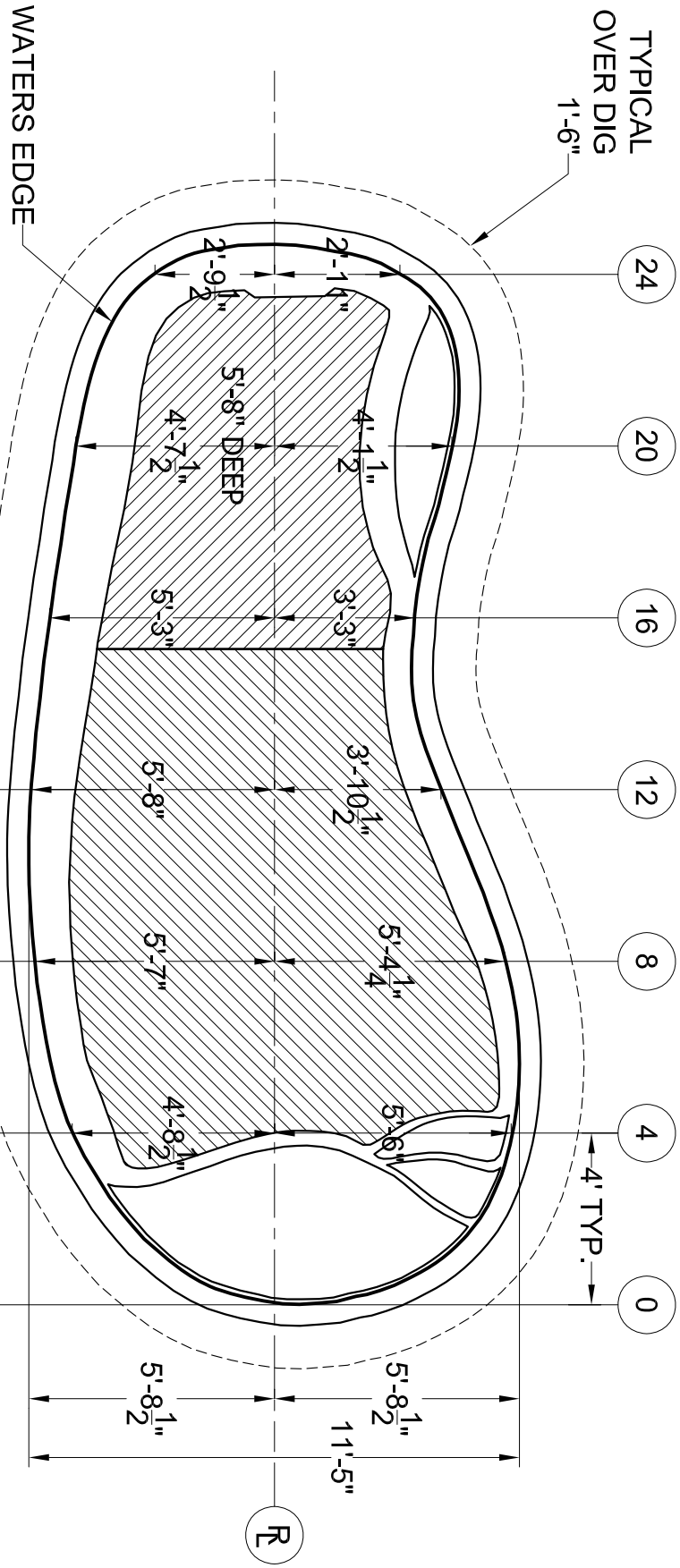


ALL MEASUREMENTS TO WATERS EDGE - ADD PREFERRED OVERDIG



4" SAND BED

WEIGHT: 1300 LBS  
 AREA: 225 SQ. FT.  
 PERIMETER: 63 FT.  
 VOLUME: 6600 GAL.

<b>STAR LIGHT 140 - DIG PLAN</b>	
SCALE 1/4" = 1'-0"	DATE 07-18-05
DRAWN BY KLB	REVISION 01

ALL MEASUREMENTS AND QUANTITIES ARE BASED ON AVERAGES