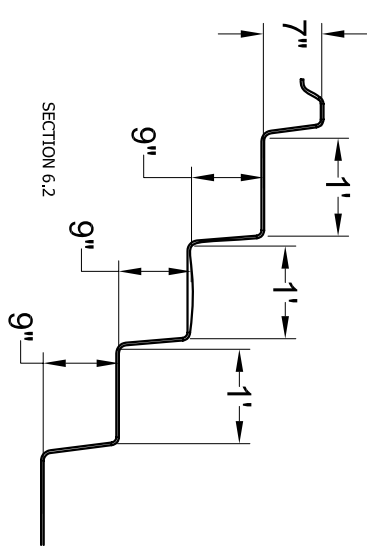


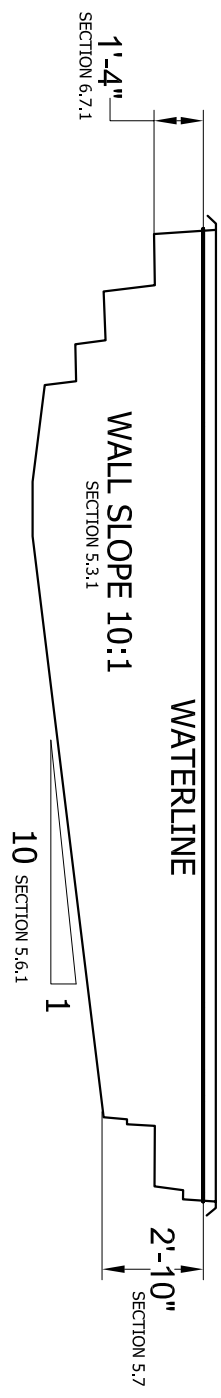
PLAN VIEW

SCALE 3/16" = 1'-0"



STEP SECTION A-A

SCALE 1/2" = 1'-0"



ELEVATION

SCALE 3/16" = 1'-0"

AREA: 356 SQ. FT.
 PERIMETER: 73 FT.
 VOLUME: 11300 GAL.

AS PER SECTION 8.1, ALL SURFACES WITHIN THE POOL INTENDED TO PROVIDE FOOTING FOR BATHERS HAVE SLIP RESISTING SURFACES

VEGAS 425 NSPI-5

SCALE AS NOTED	DATE 05-31-08
DRAWN BY KLB	REVISION 01