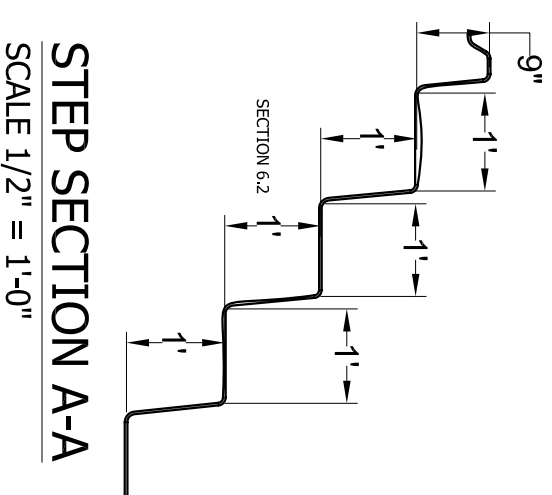
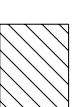
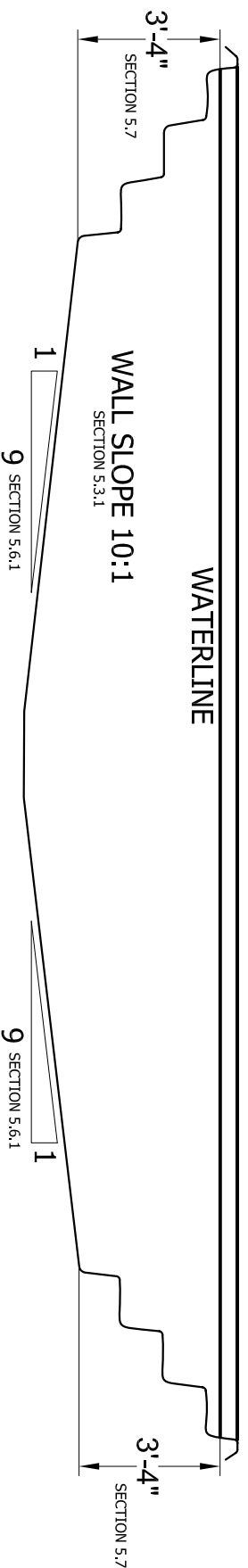


1261 SQ IN TREAD SURFACE AREA TYPICAL OF 2  
 1759 SQ IN TREAD SURFACE AREA TYPICAL OF 2  
 1787 SQ IN TREAD SURFACE AREA TYPICAL OF 2  
 SECTION 6.2.1



**STEP SECTION A-A**  
 SCALE 1/2" = 1'-0"

**PLAN VIEW**  
 SCALE 1/4" = 1'-0"



NON-SKID (SECTION 8.1)

**ELEVATION**  
 SCALE 1/4" = 1'-0"

AREA: 395 SQ FT  
 PERIMETER: 84 FT  
 VOLUME: 11500 GAL

<b>DOLPHIN 351 NSPI-5</b>	
SCALE AS NOTED	DATE 05-30-08
DRAWN BY KLB	REVISION 01