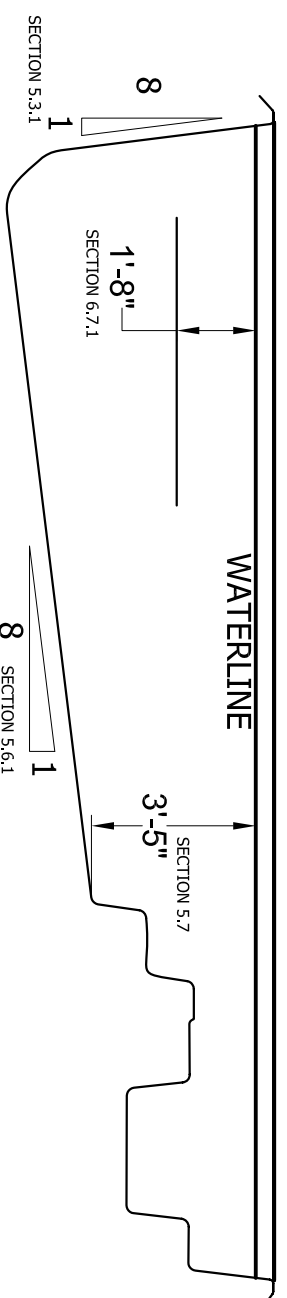
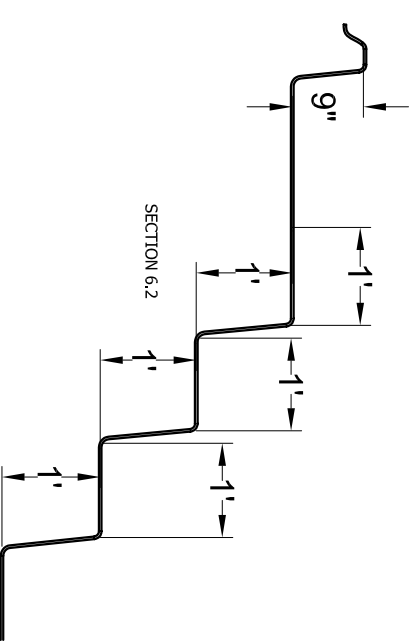


PLAN VIEW
SCALE 1/4" = 1'-0"



ELEVATION
SCALE 1/4" = 1'-0"

AREA: 198 SQ.FT
PERIMETER: 62 FT
VOLUME: 6600 GAL



STEP SECTION A-A
SCALE 1/2" = 1'-0"

AS PER SECTION 8.1, ALL SURFACES WITHIN THE POOL INTENDED TO PROVIDE FOOTING FOR BATHERS HAVE SLIP RESISTING SURFACES

MANDALAY BAY 222 NSPI-5	
SCALE AS NOTED	DATE 05-31-08
DRAWN BY KLB	REVISION 01