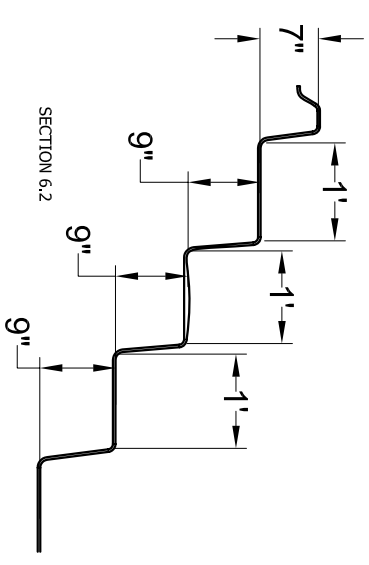


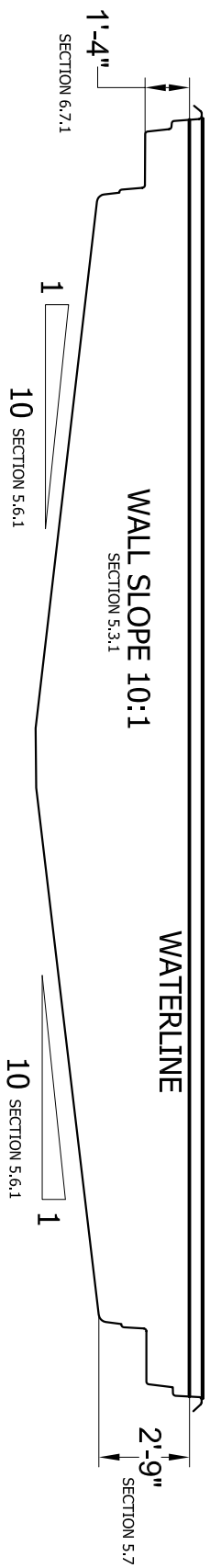
**PLAN VIEW**

SCALE 1/4" = 1'-0"



**STEP SECTION A-A**

SCALE 1/2" = 1'-0"



**ELEVATION**

SCALE 1/4" = 1'-0"

AREA: 531 SQ FT  
PERIMETER: 96 FT  
VOLUME: 14400 GAL

AS PER SECTION 8.1, ALL SURFACES WITHIN THE POOL INTENDED TO PROVIDE FOOTING FOR BATHERS HAVE SLIP RESISTING SURFACES

**PHOENIX 900 NSPI-5**

SCALE AS NOTED	DATE 05-31-08
DRAWN BY KLB	REVISION 01